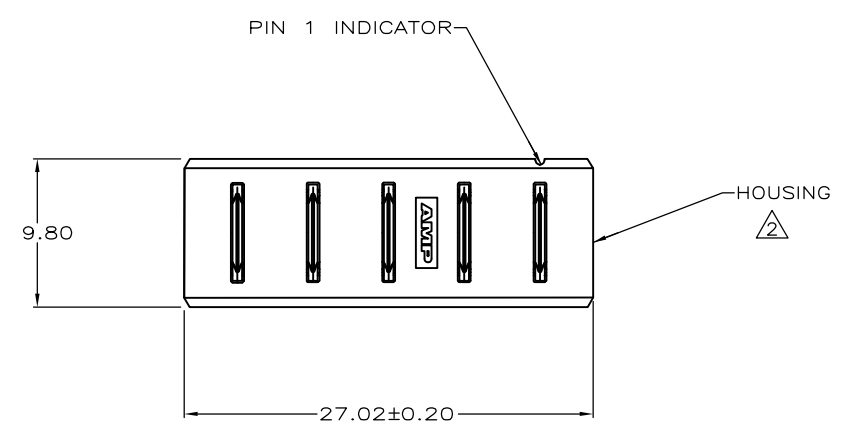
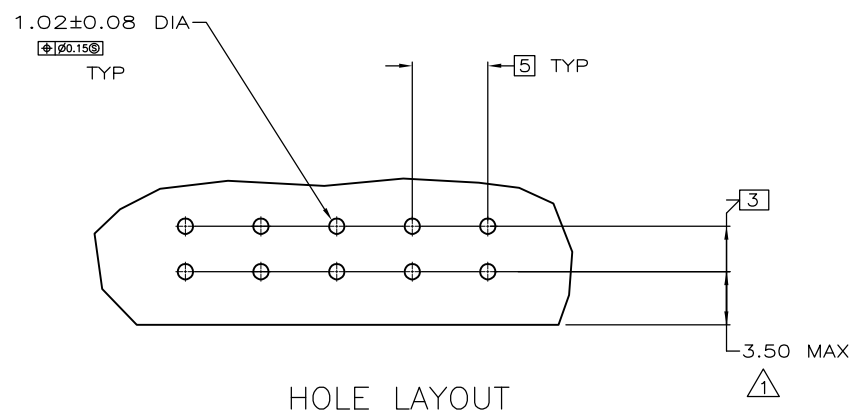
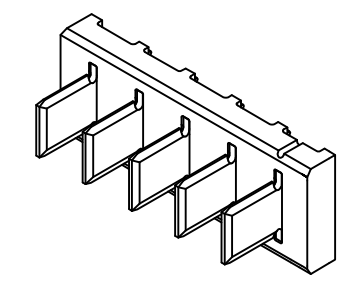
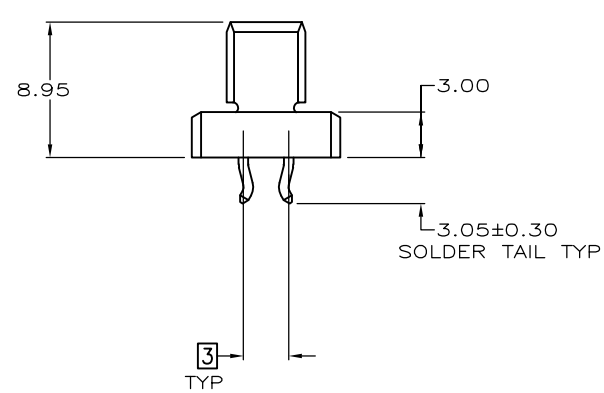
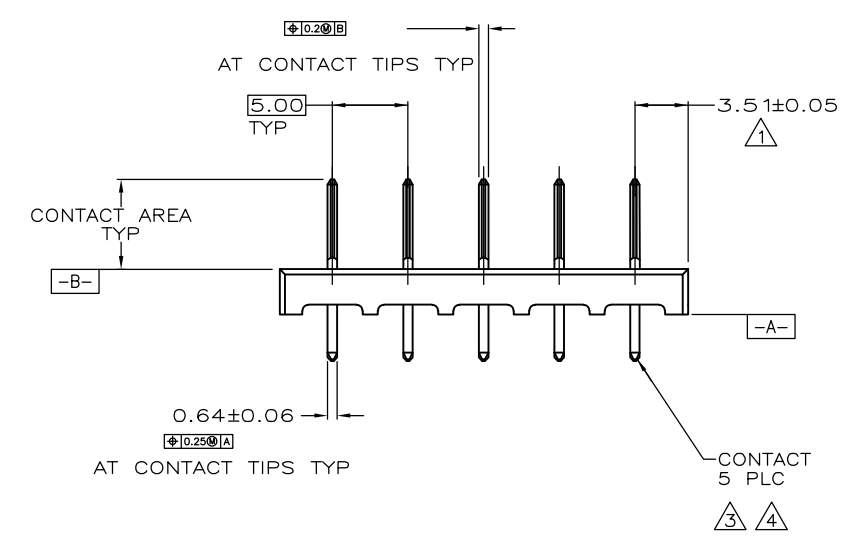


THIS DRAWING IS UNPUBLISHED. RELEASED FOR PUBLICATION  
 © COPYRIGHT - By - ALL RIGHTS RESERVED.

LOC ES	DIST 00	REVISIONS			
P	LTR	DESCRIPTION	DATE	DWN	APVD
	A1	REVISED PER ECO-11-005033	28MAR11	RK	HMR



- ① COORDINATE DIMENSION APPLIES FROM CENTER OF ACTUAL FEATURE.
- ② HOUSING: POLYPHTHALAMIDE, COLOR BLACK.
- ③ 2.54um MIN TIN ON SOLDER TAIL OVER 1.90um MIN NICKEL ALL OVER.
- ④ CONTACTS: BRASS



5787446-1  
PART NO

THIS DRAWING IS A CONTROLLED DOCUMENT.		DWN S.KLINE	03-29-95	<b>STE</b> TE Connectivity	
DIMENSIONS: mm		CHK S.KLINE	03-30-95		
TOLERANCES UNLESS OTHERWISE SPECIFIED:		APVD S.KLINE	03-30-95	NAME	
0 PLC ± -	1 PLC ± -	PRODUCT SPEC	108-1501		
2 PLC ± 0.13	3 PLC ± -	APPLICATION SPEC	114-24005		
4 PLC ± -	ANGLES ± -	WEIGHT	-		
MATERIAL	FINISH	CUSTOMER DRAWING		SIZE	RESTRICTED TO
② ④	③	A300779		CAGE CODE	DRAWING NO
		C=5787446		SCALE	SHEET
		2:1		1 OF 1	REV
					A1